

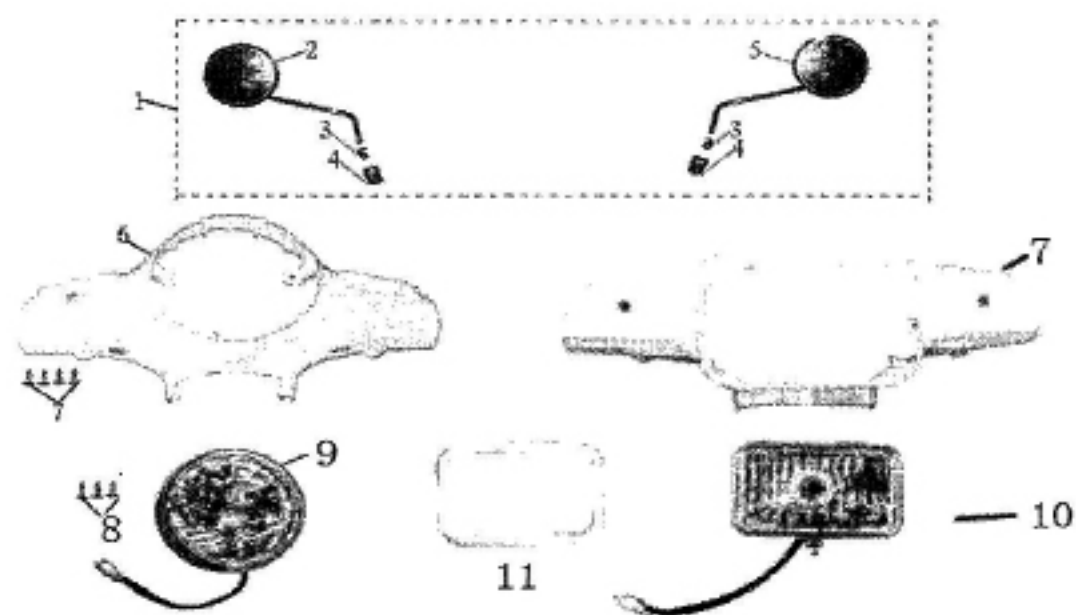
CITY NEW 50-125

RY50QT-16(8) -ROME I SPARE PARTS CATALOGUE



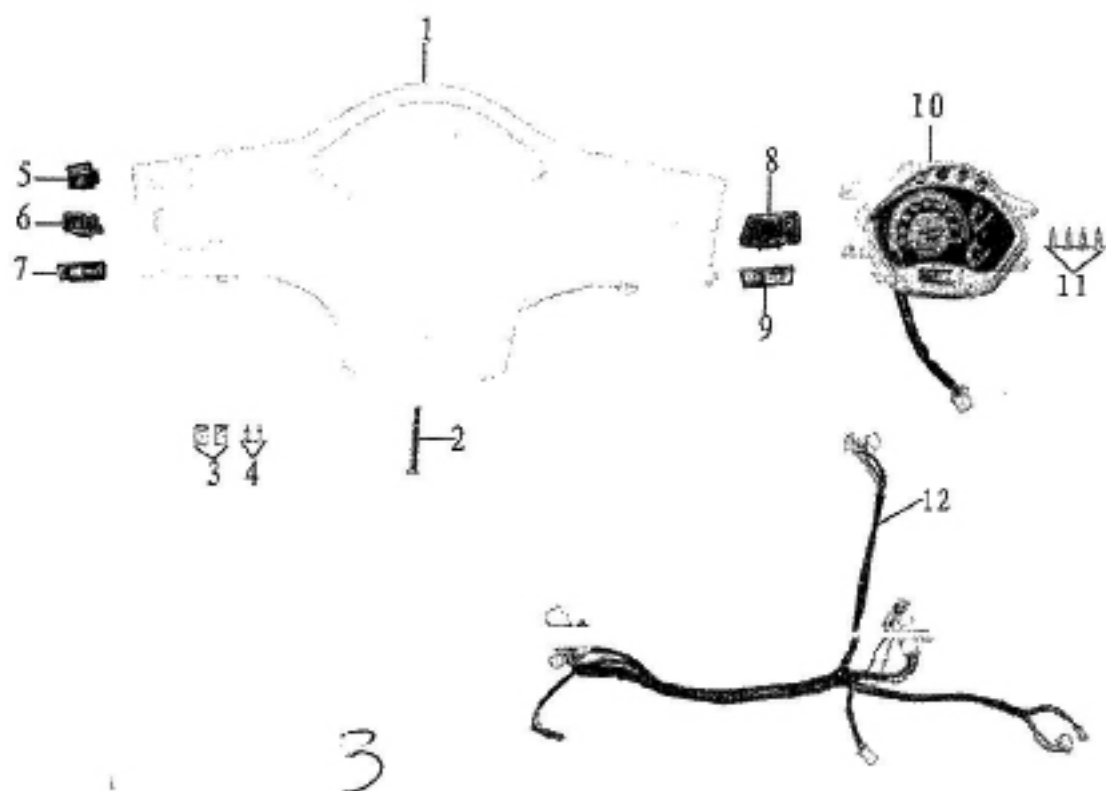
Hood front headlight assembly

| 号 RI | 代码 CODE | 名称 | NAME | 数量quantity | 单位 UNIT(piece) |
|------|-------------|---------|----------------------------------|------------|----------------|
| 1 | QT-16-01-01 | 后视镜总成 | rearview mirror assembly | 1 | set |
| 2 | QT-16-01-02 | 左后视镜 | left rearview mirror | 1 | pc |
| 3 | QT-16-01-03 | 后视镜螺母 | rearview mirror nut | 2 | pc |
| 4 | QT-16-01-04 | 后视镜隔套 | rearview mirror spacerbush | 2 | pc |
| 5 | QT-16-01-05 | 右后视镜 | right rearview mirror | 1 | pc |
| 6 | QT-16-01-06 | 圆灯头罩前部 | Circular lamp hood front | 1 | pc |
| 7 | QT-16-01-07 | 方灯头罩前部 | Square lamp hood front | 1 | pc |
| 8 | QT-16-01-08 | 自攻螺钉 | self tapping screw | 7 | pc |
| 9 | QT-16-01-09 | 圆灯前照灯总成 | Circular lamp headlight assembly | 1 | pc |
| 10 | QT-16-01-10 | 方灯前照灯总成 | Square lamp headlight assembly | 1 | pc |
| 11 | QT-16-01-11 | 方灯装饰罩 | Square lamp decorative cover | 1 | pc |



| 号 RI | 代码 CODE | 名称 | NAME | 数量 quantiti | 单位 UNIT(piece) |
|------|-------------|--------------|-------------------------------------|-------------|----------------|
| 1 | QT-16-02-01 | 头罩后部 (圆灯仪表壳) | hood rear | 1 | pc |
| | | 头罩后部 (方灯仪表壳) | | | |
| 2 | QT-16-02-02 | 十字槽小盘头螺钉 | Cross recessed small pan head screw | 1 | pc |
| 3 | QT-16-02-03 | 卡片 | card | 2 | pc |
| 4 | QT-16-02-04 | 自攻螺钉 | self tapping screw | 2 | pc |

| | | | | | |
|----|-------------|----------|-------------------------|---|----|
| 5 | QT-16-02-05 | 变光开关 | Dimmer switch | 1 | pc |
| 6 | QT-16-02-06 | 转向灯开关 | turn signal switch | 1 | pc |
| 7 | QT-16-02-07 | 电喇叭开关 | Electric horn switch | 1 | pc |
| 8 | QT-16-02-08 | 大灯开关 | Headlight switch | 1 | pc |
| 9 | QT-16-02-09 | 电起动开关 | Electric starter switch | 1 | pc |
| 10 | QT-16-02-10 | 仪表总成 (圆) | Panel assembly | 1 | pc |
| | | 仪表总成 (方) | | | |
| 11 | QT-16-02-11 | 自攻螺钉 | self tapping screw | 4 | pc |
| 12 | QT-16-02-12 | 副电缆 | subfeeder cable | 1 | pc |



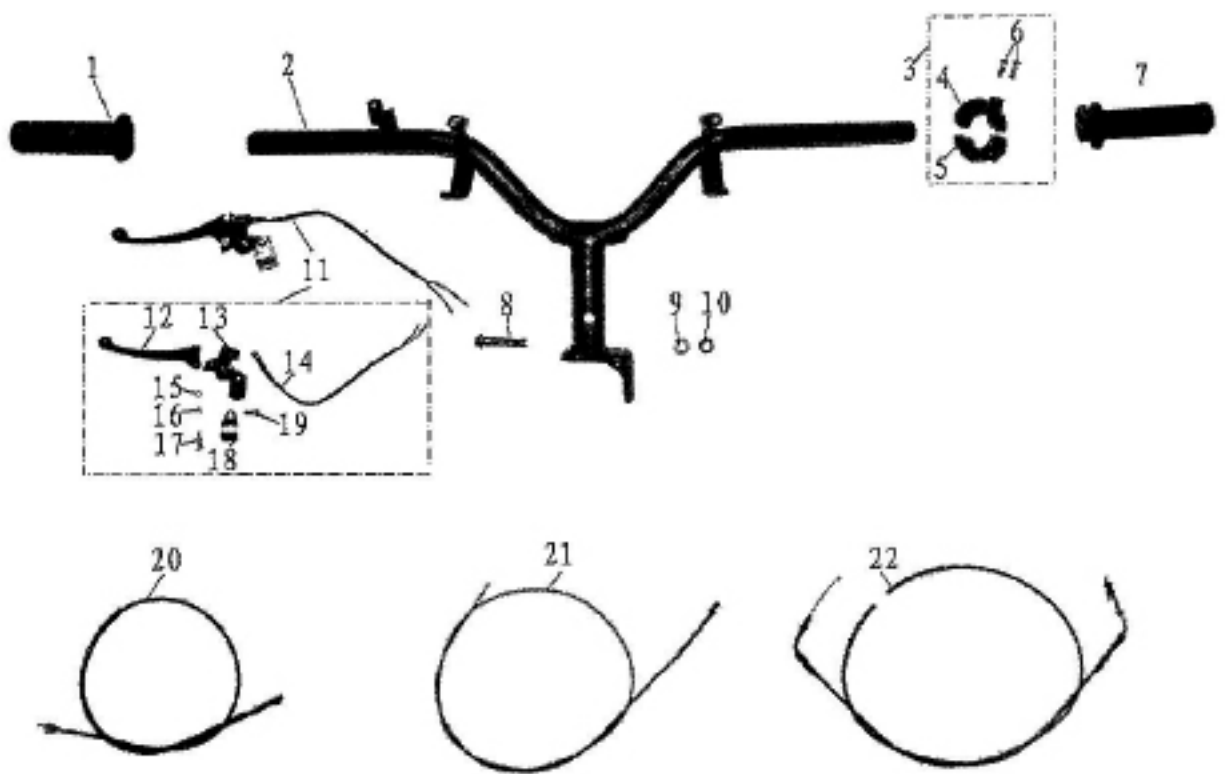
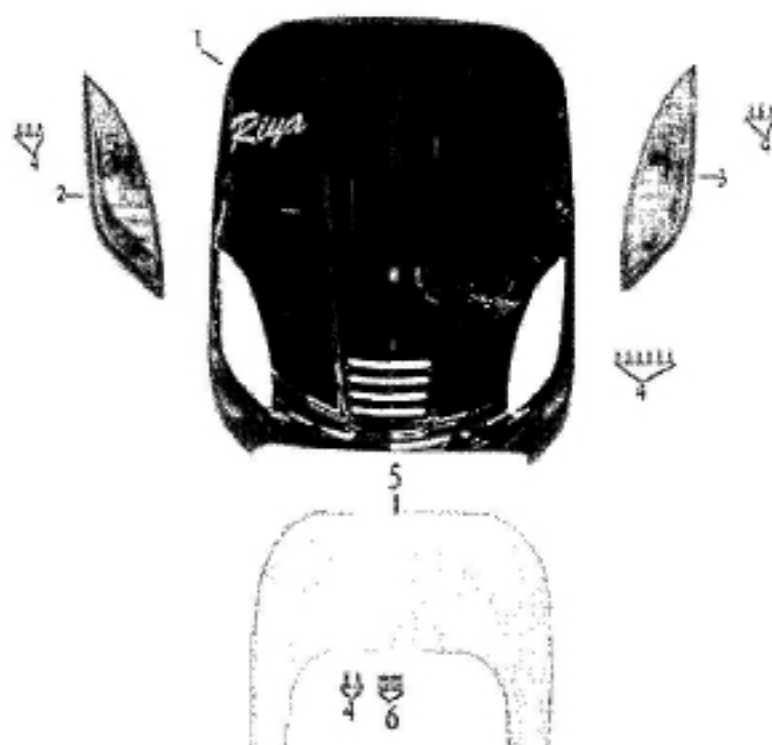


图4 前大板及前围 Before the big board and former Circuit

| 号 R | 代码 CODE | 名称 | NAME | 数量 quantiti | 单位 UNIT(piece) |
|-----|---------|----|------|-------------|----------------|
|-----|---------|----|------|-------------|----------------|

| | | | | | |
|---|-------------|---------|---------------------------------|----|----|
| 1 | QT-16-04-01 | 前大板 | Before the big board | 1 | pc |
| 2 | QT-16-04-02 | 前左转向灯总成 | Front left turn light assembly | 1 | pc |
| 3 | QT-16-04-03 | 前右转向灯总成 | Front right turn light assembly | 1 | pc |
| 4 | QT-16-04-04 | 自攻螺钉 | self-tapping screw | 14 | pc |
| 5 | QT-16-04-07 | 前围 | front wall | 1 | pc |
| 6 | QT-16-04-08 | 卡片 | card | 2 | pc |



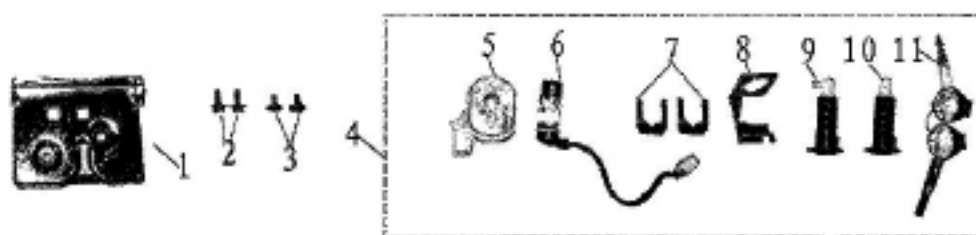
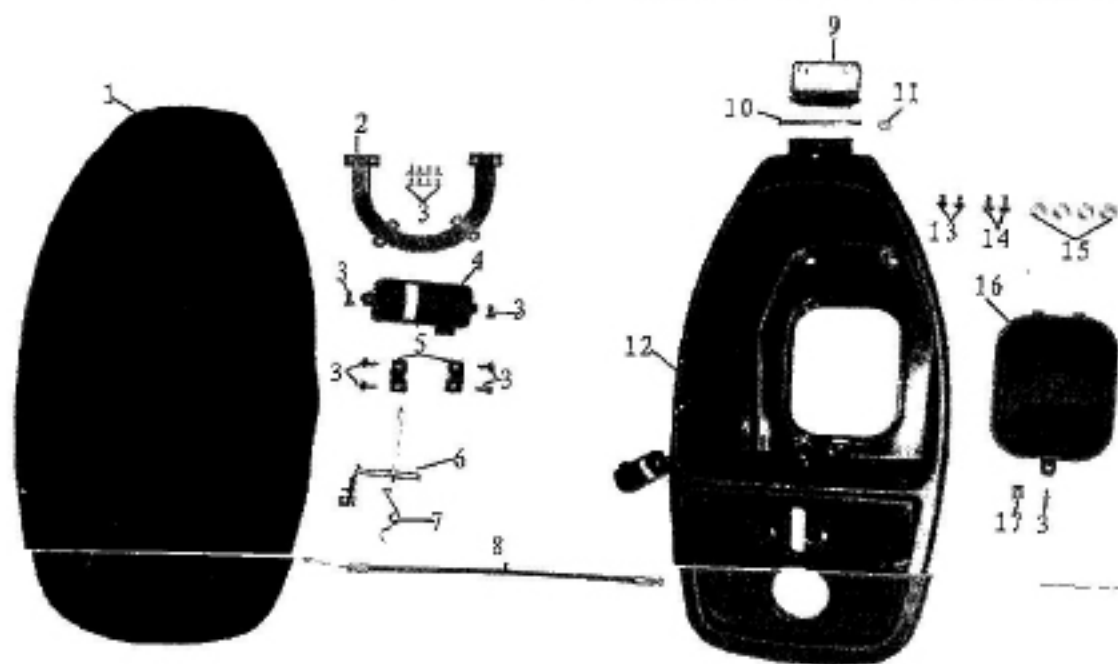


图6 座垫及行李箱、前置物箱 Seat and trunk, front locker

| 号 | 代码 CODE | 名称 | NAME | 数量quantity | 单位UNIT(piece) |
|----|-------------|----------|--------------------------|------------|---------------|
| 1 | QT-16-06-01 | 座垫总成 | Seat assembly | 1 | pc |
| 9 | QT-16-06-09 | 座垫铰链 | Seat hinge | 1 | pc |
| 10 | QT-16-06-10 | 座垫销轴 | Pin Cushion | 1 | pc |
| 11 | QT-16-06-11 | 六角法兰面螺母 | Hexagon nuts with flange | 1 | pc |
| | | 座垫总成(方灯) | | | |
| 2 | QT-16-06-02 | 锁线盖板 | Sewing Cover | 1 | pc |
| 3 | QT-16-06-03 | 自攻螺钉 | Tapping Screws | 12 | pc |
| 4 | QT-16-06-04 | 座垫锁罩 | Seat lock cover | 1 | pc |

| | | | | | |
|----|-------------|---------|------------------------------|---|----|
| 5 | QT-16-06-05 | 座垫锁压块 | Seat lock briquette | 2 | pc |
| 6 | QT-16-06-06 | 座垫锁挂钩 | Seat lock hook | 1 | pc |
| 7 | QT-16-06-07 | 座垫锁钩钮簧 | Spring seat lock button hook | 1 | pc |
| 8 | QT-16-06-08 | 座垫拉索 | Cable saddle | 1 | pc |
| 12 | QT-16-06-12 | 行李箱 | boot trunk | 1 | pc |
| 13 | QT-16-06-13 | 六角法兰面螺栓 | Hex Flange Screws | 2 | pc |
| 14 | QT-16-06-14 | 六角法兰面螺栓 | Hex Flange Screws | 2 | pc |
| 15 | QT-16-06-15 | 平垫 | flat gasket | 4 | pc |
| 16 | QT-16-06-16 | 行李箱内盖 | Decklid Inner | 1 | pc |
| 17 | QT-16-06-17 | 卡片 | card | 1 | pc |



| | | | | | |
|----|-------------|---------|-------------------|---|----|
| 16 | QT-16-07-16 | 车架挡泥板 | Frame Fender | 1 | pc |
| 17 | QT-16-07-17 | 六角法兰面螺栓 | Hex Flange Screws | 4 | pc |

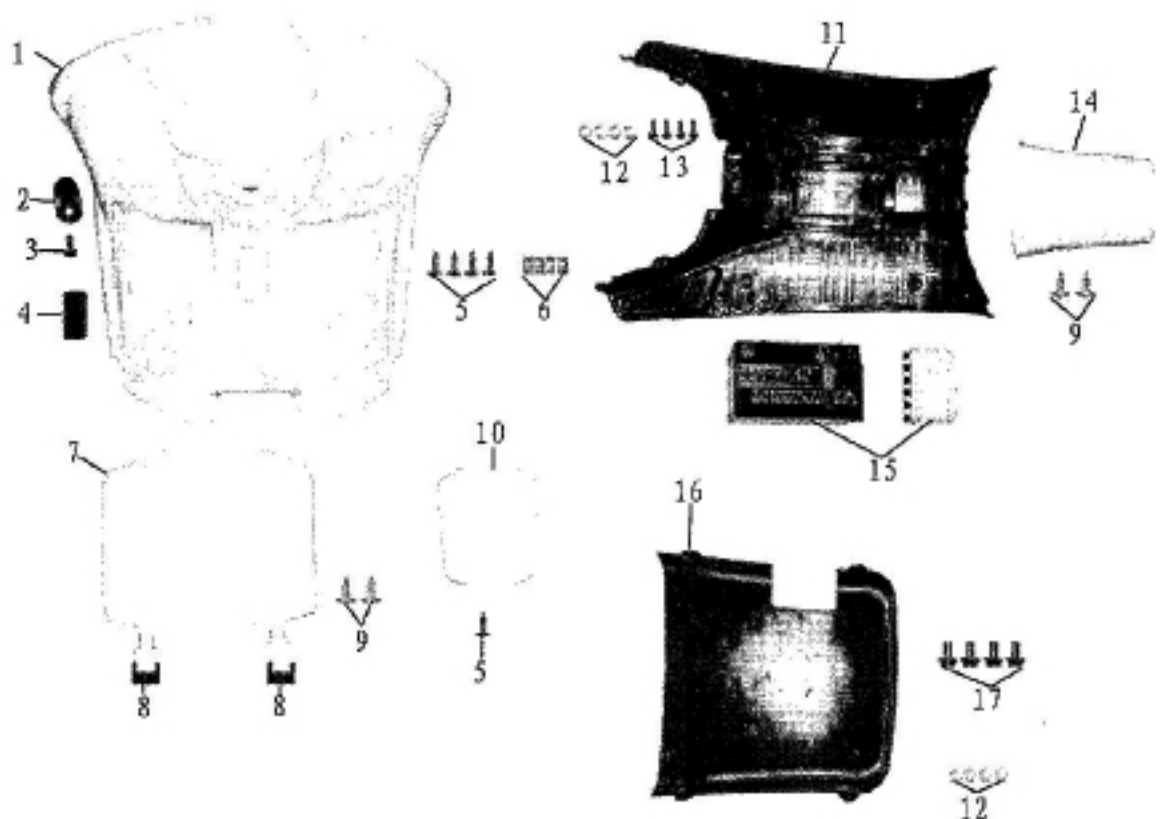
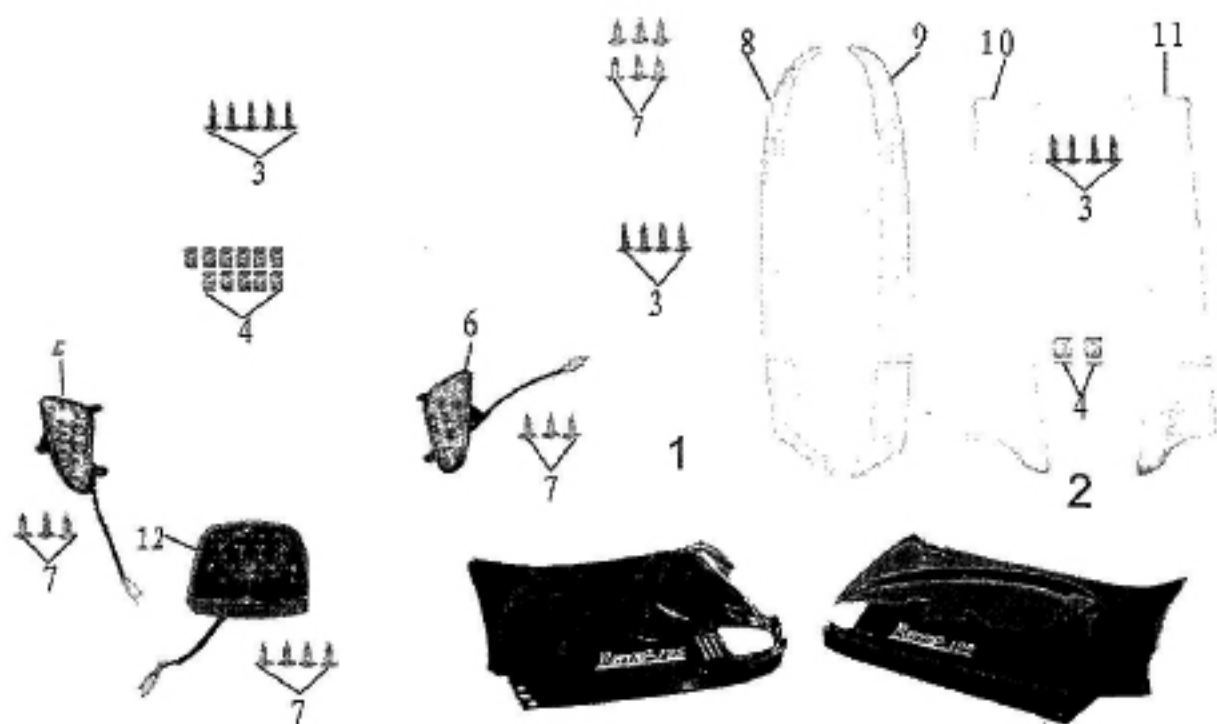


图8 装饰板部分 Some decorative plates

| 号 RI | 代码 CODE | 名称 | NAME | 数量quantit | 单位UNIT(piece) |
|------|-------------|------|-----------------------|-----------|---------------|
| 1 | QT-16-08-01 | 左装饰板 | Left decorative plate | 1 | pc |

| | | | | | |
|----|-------------|---------|--------------------------------------|----|----|
| 2 | QT-16-08-02 | 右装饰板 | right decorative plate | 1 | pc |
| 3 | QT-16-08-03 | 自攻螺钉 | self tapping screw | 13 | pc |
| 4 | QT-16-08-04 | 卡片 | card | 13 | pc |
| 5 | QT-16-08-05 | 后左转向灯总成 | After the left turn signal assembly | 1 | pc |
| 6 | QT-16-08-06 | 后右转向灯总成 | After the right turn signal assembly | 1 | pc |
| 7 | QT-16-08-07 | 自攻螺钉 | self tapping screw | 19 | pc |
| 8 | QT-16-08-08 | 后左边条 | Section on the left after | 1 | pc |
| 9 | QT-16-08-09 | 后右边条 | Section on the right after | 1 | pc |
| 10 | QT-16-08-10 | 左边条 | left side cover | 1 | pc |
| 11 | QT-16-08-11 | 右边条 | right side cover | 1 | pc |
| 12 | QT-16-08-12 | 后尾灯 | Rear light | 1 | pc |



| | | | | | |
|----|-------------|---------|-----------------------------|---|-----|
| 11 | QT-16-09-11 | 后牌照支架 | After the license bracket | 1 | pc |
| 12 | QT-16-09-12 | 侧反射器 | Side reflector | 1 | set |
| 13 | QT-16-09-13 | 后尾架 | After the last frame | 1 | pc |
| 14 | QT-16-09-14 | 六角法兰面螺栓 | Hexagon flange bolts | 2 | pc |
| 15 | QT-16-09-15 | 六角法兰面螺栓 | Hexagon flange bolts | 2 | pc |
| 16 | QT-16-09-16 | 后尾架橡胶垫 | After the last frame rubber | 4 | pc |

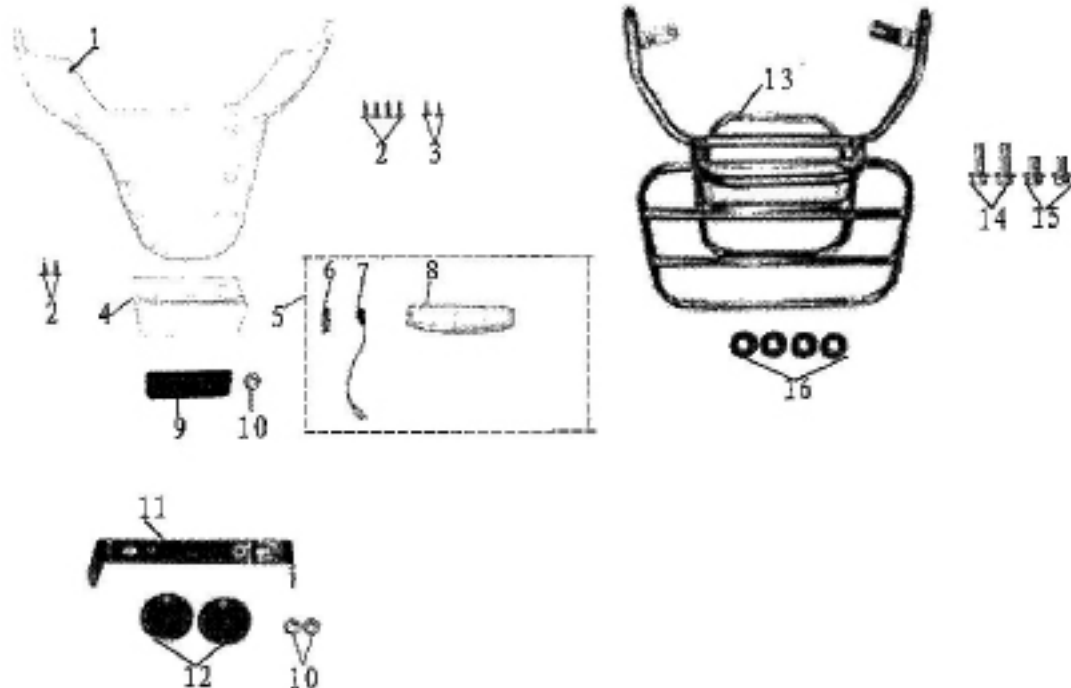
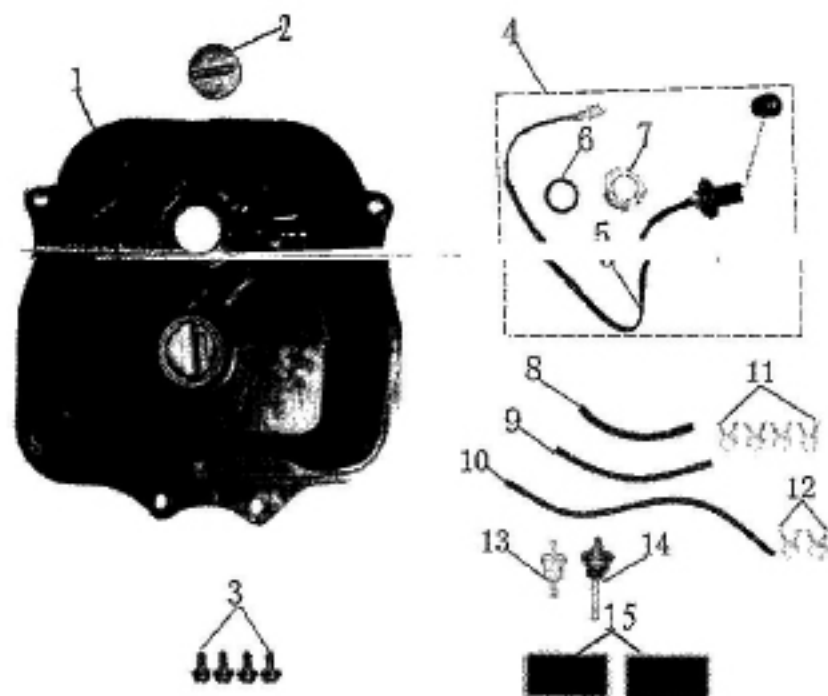


图10 燃油箱焊接组合 Combination of fuel tank welding

| 号 No | 代码 CODE | 名称 | NAME | 数量 quantity | 单位 UNIT (piece) |
|------|-------------|---------|----------------------------------|-------------|-----------------|
| 1 | QT-16-10-01 | 燃油箱焊接组合 | Combination of fuel tank welding | 1 | pc |
| 2 | QT-16-10-02 | 油箱盖 | fuel tank cap | 1 | pc |
| 3 | QT-16-10-03 | 六角法兰面螺栓 | Hexagon flange bolts | 4 | pc |
| 4 | QT-16-10-04 | 燃油传感器总成 | Fuel sensor assembly | 1 | pc |
| 5 | QT-16-10-05 | 燃油传感器 | sensor, fuel gauge | 1 | pc |
| 6 | QT-16-10-06 | 密封圈 | sealing ring | 1 | pc |
| 7 | QT-16-10-07 | 传感器压板 | Sensor plate | 1 | pc |
| 8 | QT-16-10-08 | 油管I | oil pipe I | 13 | 厘米 cm |
| 9 | QT-16-10-09 | 油管II | oil pipe II | 36 | 厘米 cm |
| 10 | QT-16-10-10 | 负压管 | Vacuum tube | 52 | 厘米 cm |
| 11 | QT-16-10-11 | 油管卡簧 | Tubing retainer | 4 | pc |
| 12 | QT-16-10-12 | 负压管卡簧 | Vacuum tube retainer | 2 | pc |
| 13 | QT-16-10-13 | 过滤器组合 | filter assembled | 2 | pc |
| 14 | QT-16-10-14 | 汽油负压开关 | Petrol vacuum switch | 1 | pc |
| 15 | QT-16-10-15 | 油箱胶垫 | Tank pad | 1 | pc |



| | | | | | |
|----|-------------|----------|-------------------------------------|---|----|
| 8 | QT-16-11-08 | 高压包 | ignition coil | 1 | pc |
| 9 | QT-16-11-09 | 十字槽小盘头螺钉 | cross recessed small pan head screw | 1 | pc |
| 10 | QT-16-11-10 | 扎带 | ribbon | 8 | pc |
| 11 | QT-16-11-11 | 闪光器 | flash apparatus | 1 | pc |
| 12 | QT-16-11-12 | 闪光器护套 | flash apparatus jacket | 1 | pc |

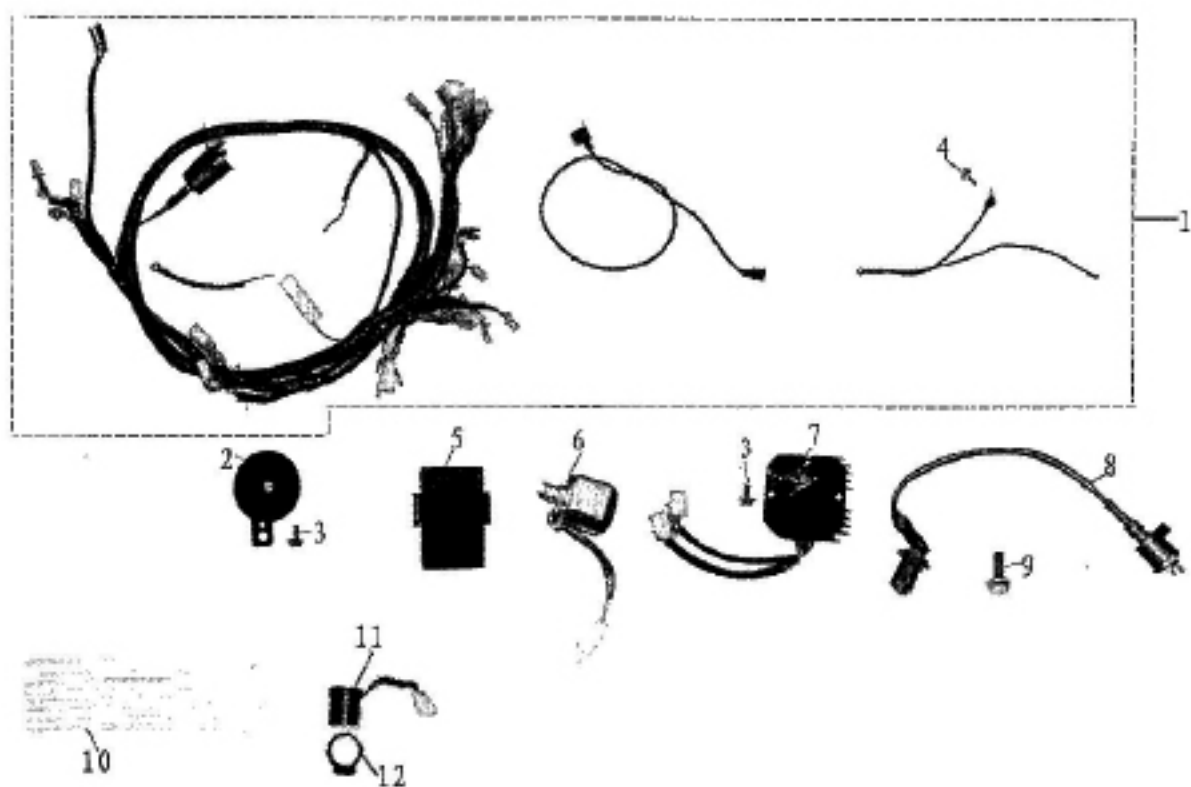
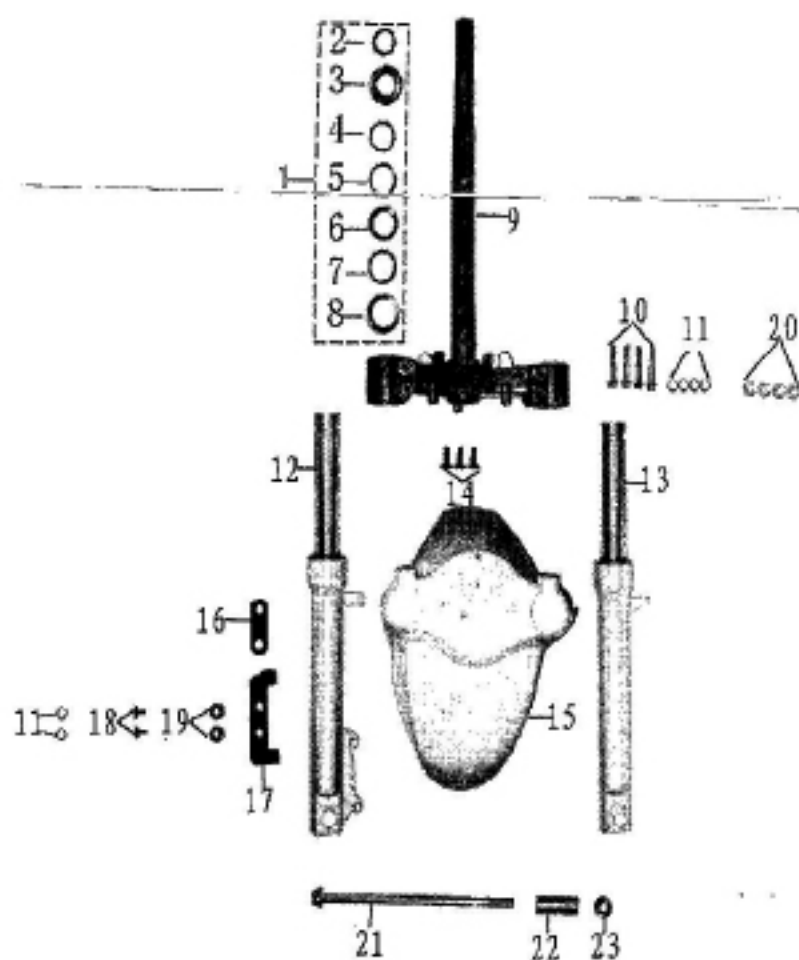
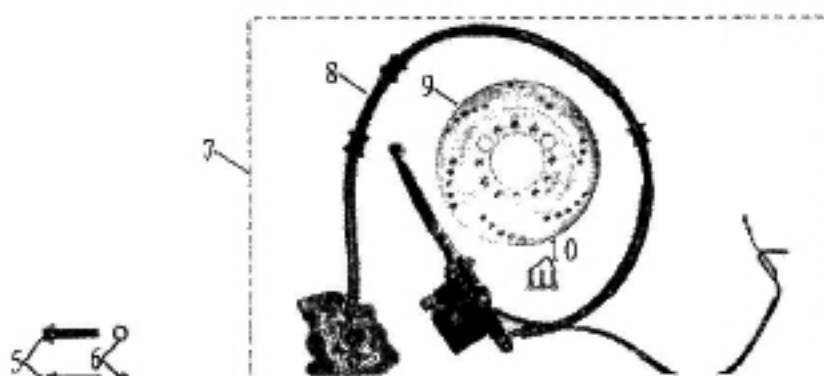
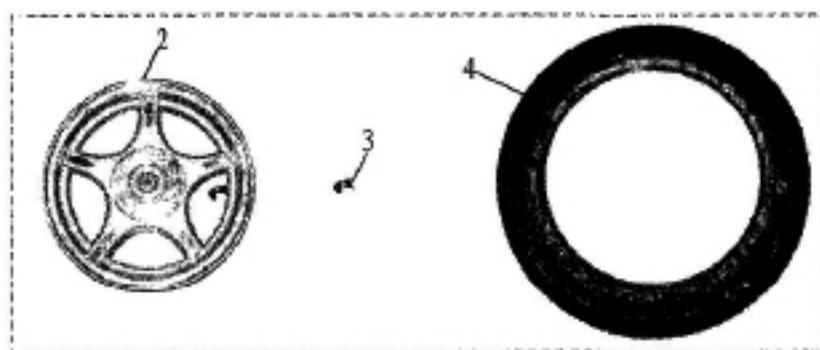
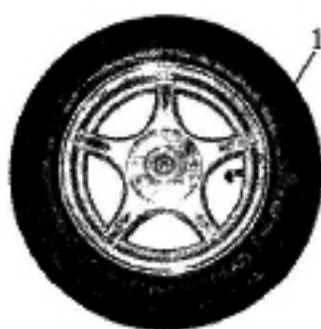


图12 方向柱及前减震 The direction of column and pre-shock

| 号 | 代码 CODE | 名称 | NAME | 数量quantity | 单位UNIT(piece) |
|----|-------------|------------|---|------------|---------------|
| 1 | QT-16-12-01 | 全套钢碗 | Full steel bowl | 1 | 套 |
| 2 | QT-16-12-02 | 方向柱锁紧螺母 | Orientation column nut | 1 | pc |
| 3 | QT-16-12-03 | 方向柱上轴承上盘 | Column bearing on the direction of plate | 1 | pc |
| 4 | QT-16-12-04 | 方向柱上钢球总成 | Column direction of ball assembly | 1 | pc |
| 5 | QT-16-12-05 | 方向柱上轴承下盘 | Under the direction column bearing plate | 1 | pc |
| 6 | QT-16-12-06 | 方向柱下轴承上盘 | Bearing on the plate under the direction of column | 1 | pc |
| 7 | QT-16-12-07 | 方向柱下钢球总成 | Ball assembly under the direction of column | 1 | pc |
| 8 | QT-16-12-08 | 方向柱下轴承下盘 | Under the bearing plate under the direction of column | 1 | pc |
| 9 | QT-16-12-09 | 方向柱焊接组合 | Combination of column welding direction | 1 | pc |
| 10 | QT-16-12-10 | 六角法兰面螺栓 | Hex Flange Screws | 1 | pc |
| 11 | QT-16-12-11 | 弹垫 | spring washer | 6 | pc |
| 12 | QT-16-12-12 | 前左减震器总成 | Front left shock absorber assembly | 1 | pc |
| 13 | QT-16-12-13 | 前右减震器总成 | Front right shock absorber assembly | 1 | pc |
| 14 | QT-16-12-14 | 十字槽盘头螺钉 | Cross Recess Head Screw | 3 | pc |
| 15 | QT-16-12-15 | 前轮挡泥板 | Front fender | 1 | pc |
| 16 | QT-16-12-16 | 前液压管固线夹支架 | Hydraulic tube clamp solid support before | 1 | pc |
| 17 | QT-16-12-17 | 前液压管固线夹 | Before the hydraulic tube solid clamp | 1 | set |
| 18 | QT-16-12-18 | 十字槽盘头螺钉 | Cross Recess Head Screw | 2 | pc |
| 19 | QT-16-12-19 | 橡胶垫圈 | rubber washer | 2 | pc |
| 20 | QT-16-12-20 | 平垫 | flat gasket | 4 | pc |
| 21 | QT-16-12-21 | 前轮轴 | knuckle spindle | 1 | pc |
| 22 | QT-16-12-22 | 衬套 | bushing block | 1 | pc |
| 23 | QT-16-12-23 | 全金属六角法兰面螺母 | All-metal hexagon nuts with flange | 1 | pc |



| | | | | | |
|----|-------------|----------|---------------------------------|---|----|
| 5 | QT-16-13-05 | 六角法兰面螺栓 | Hex Flange Screws | 2 | pc |
| 6 | QT-16-13-06 | 弹垫 | spring washer | 2 | pc |
| 7 | QT-16-13-07 | 前液压制动器总成 | Hydraulic Brake Assembly before | 1 | pc |
| 8 | QT-16-13-08 | 前液压制动器 | Hydraulic brake before | 1 | pc |
| 9 | QT-16-13-09 | 碟刹盘 | Disc tray | 1 | pc |
| 10 | QT-16-13-10 | 碟刹盘安装螺栓 | Disc brake disc mounting bolts | 3 | pc |



| | | | | | |
|----|-------------|-----------|-------------------------|---|----|
| 34 | QT-16-14-34 | 连杆螺柱II(短) | Linkage stud II (short) | 1 | pc |
|----|-------------|-----------|-------------------------|---|----|

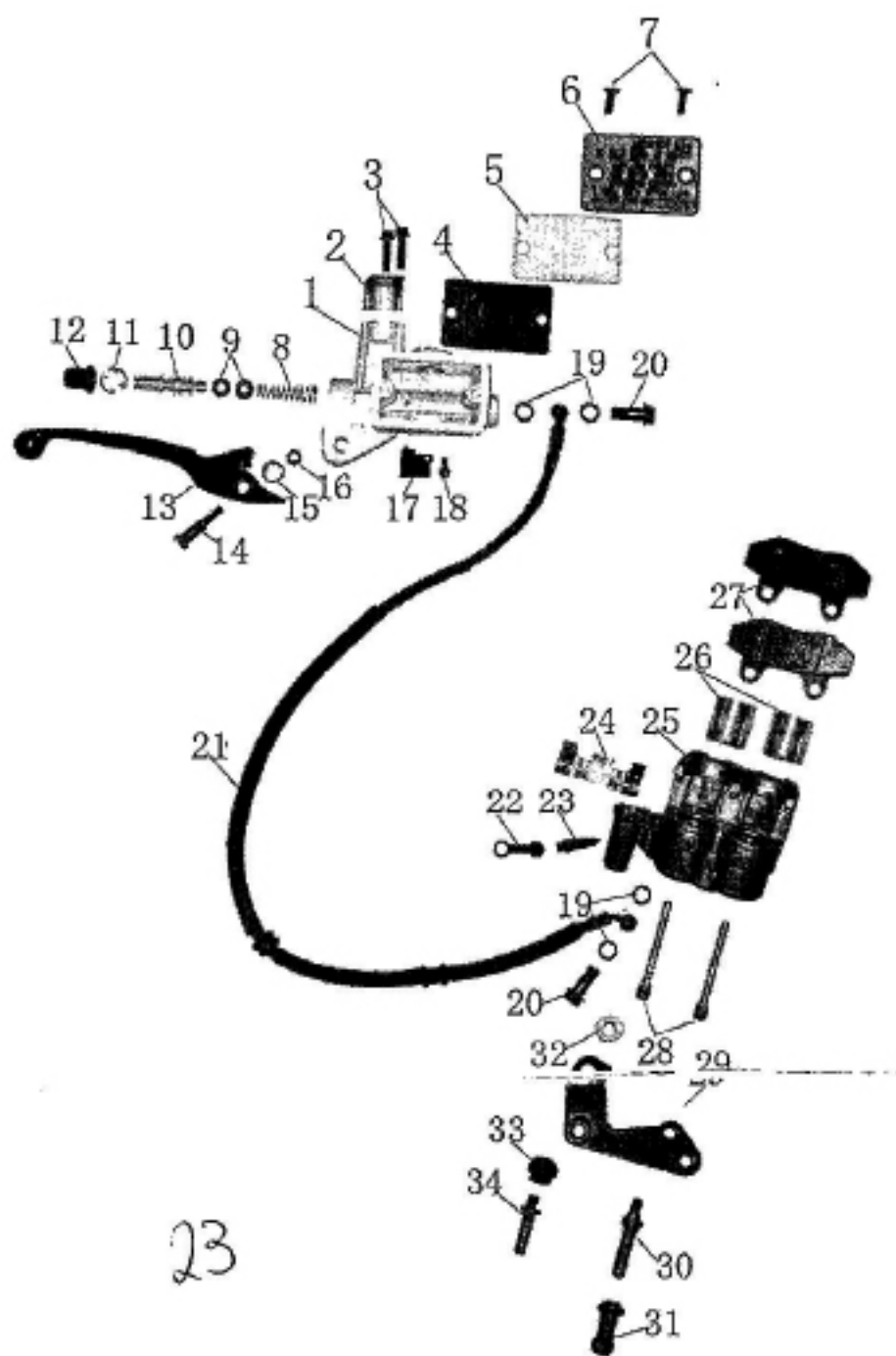
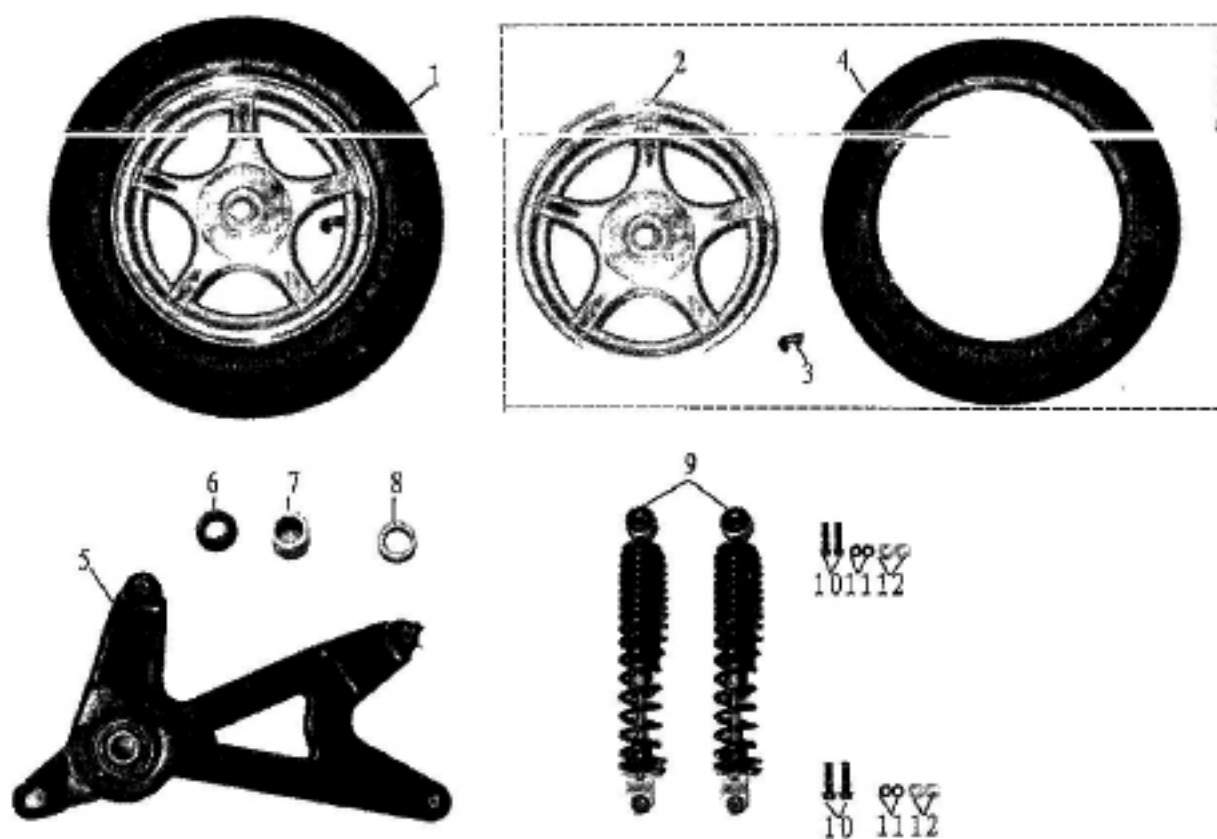
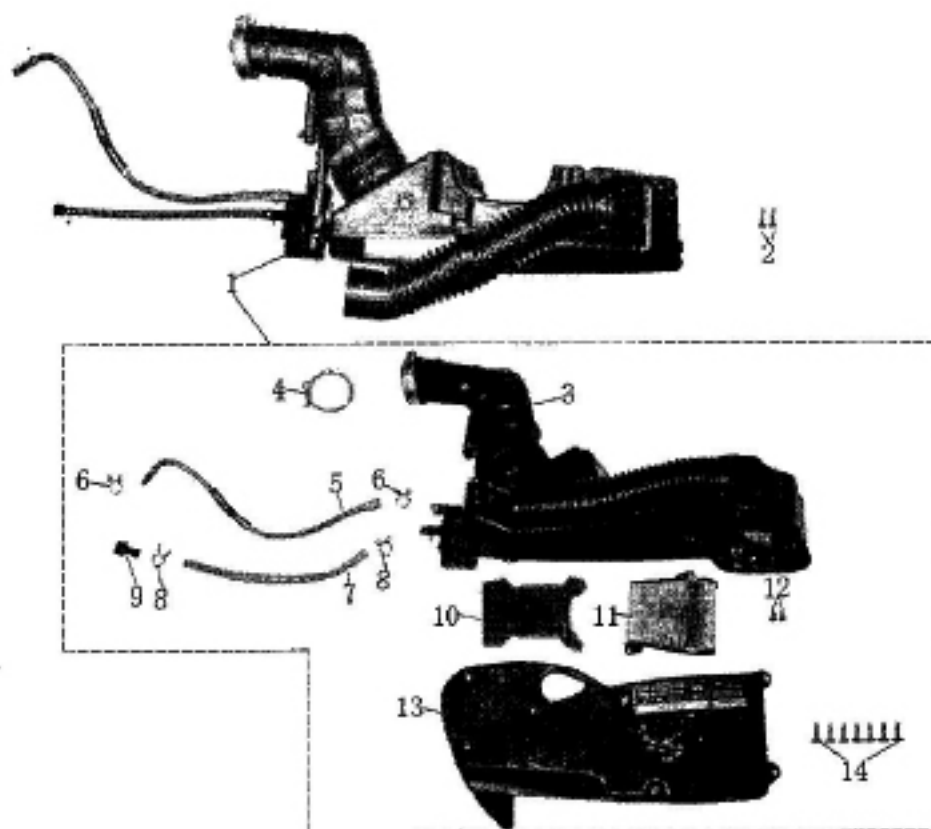


图15 后轮部分及后减震 And after some rear shock absorber

| 号 RI | 代码 CODE | 名称 | NAME | 数量quantit | 单位UNIT(piece) |
|------|-------------|------------|------------------------------------|-----------|---------------|
| 1 | QT-16-15-01 | 后轮总成 | REAR WHEEL | 1 | set |
| 2 | QT-16-15-02 | 铝后轮毂 | Aluminum rear wheel hub | 1 | pc |
| 2 | QT-16-15-03 | 气门嘴 | valve cock | 1 | pc |
| 4 | QT-16-15-04 | 轮胎 | tyre | 1 | pc |
| 5 | QT-16-15-05 | 消声器安装板 | Muffler mounting plate | 1 | pc |
| 6 | QT-16-15-06 | 全金属六角法兰面螺母 | All-metal hexagon nuts with flange | 1 | pc |
| 7 | QT-16-15-07 | 长衬套 | Long sleeve | 1 | pc |
| 8 | QT-16-15-08 | 短衬套 | Short sleeve | 1 | pc |
| 9 | QT-16-15-09 | 后减震器总成 | After the shock absorber assembly | 1 | pc |
| 10 | QT-16-15-10 | 六角法兰面螺栓 | Hex Flange Screws | 4 | pc |
| 11 | QT-16-15-11 | 弹垫 | spring washer | 1 | pc |
| 12 | QT-16-15-12 | 平垫 | flat gasket | 1 | pc |



| | | | | | |
|----|-------------|------------|-------------------------------|---|----|
| 8 | QT-16-16-08 | 废油管卡簧 | Oil tube retainer | 2 | pc |
| 9 | QT-16-16-09 | 橡皮塞 | rubber stopper | 1 | pc |
| 10 | QT-16-16-10 | 废气过滤海绵 | Exhaust filter sponge | 1 | pc |
| 11 | QT-16-16-11 | 空滤器滤芯 | Air filter filter core | 1 | pc |
| 12 | QT-16-16-12 | 十字槽小盘头螺钉和平 | cross recessed small pan head | 2 | pc |
| 13 | QT-16-16-13 | 空滤器上盖 | air Cleaner upper lid | 1 | pc |
| 14 | QT-16-16-14 | 自攻螺钉 | self tapping screw | 7 | pc |
| 10 | QT-16-16-10 | 废气过滤海绵 | Exhaust filter sponge | 1 | pc |



| | | | | | |
|----|-------------|----|-------------|---|----|
| 14 | QT-16-17-14 | 平垫 | flat gasket | 3 | pc |
|----|-------------|----|-------------|---|----|

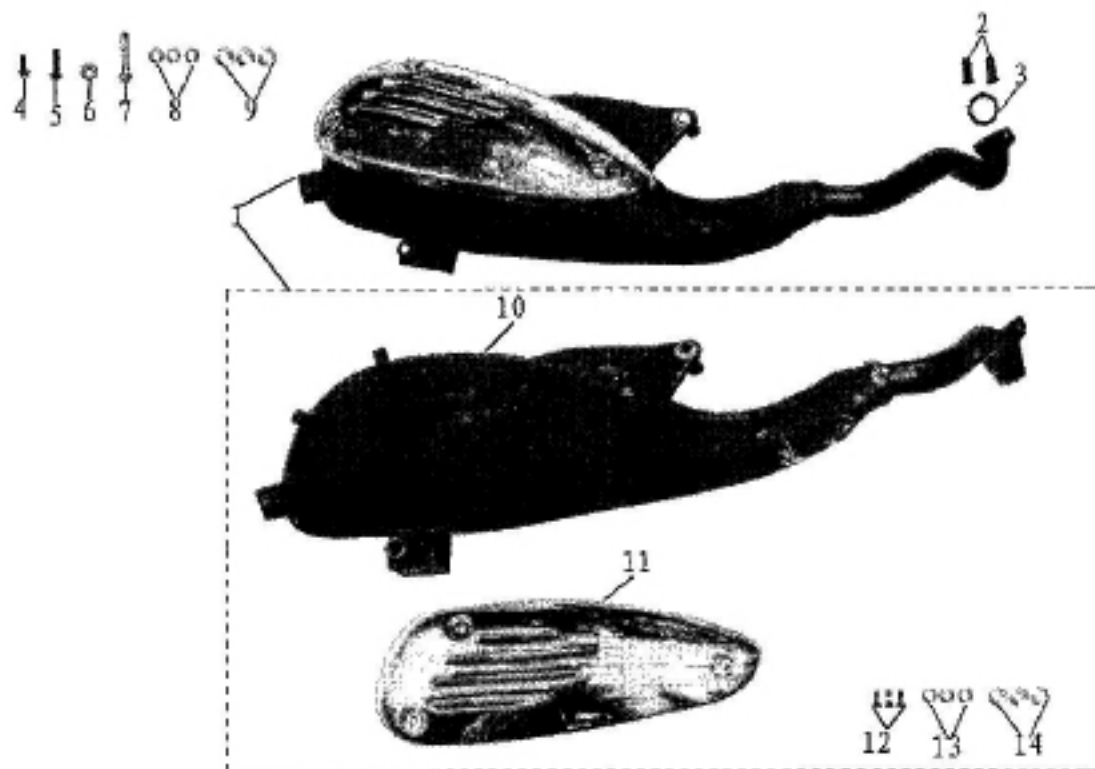
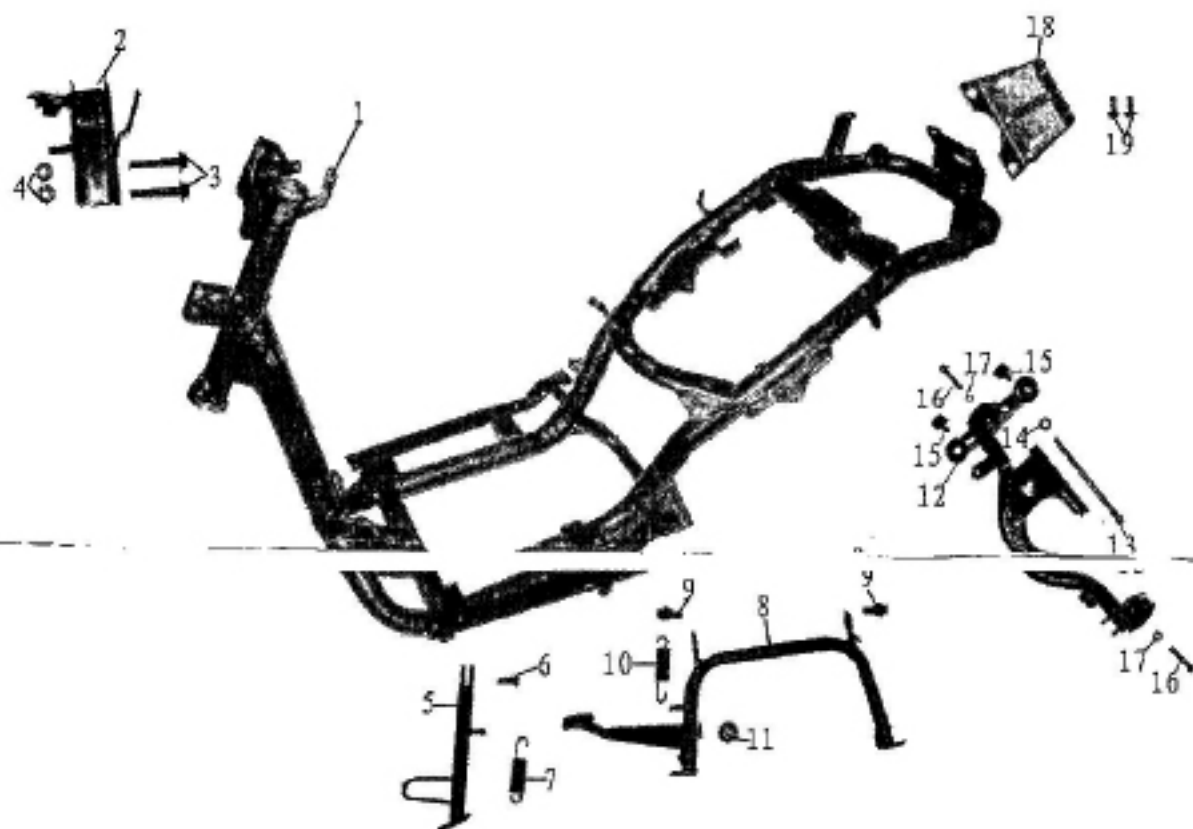
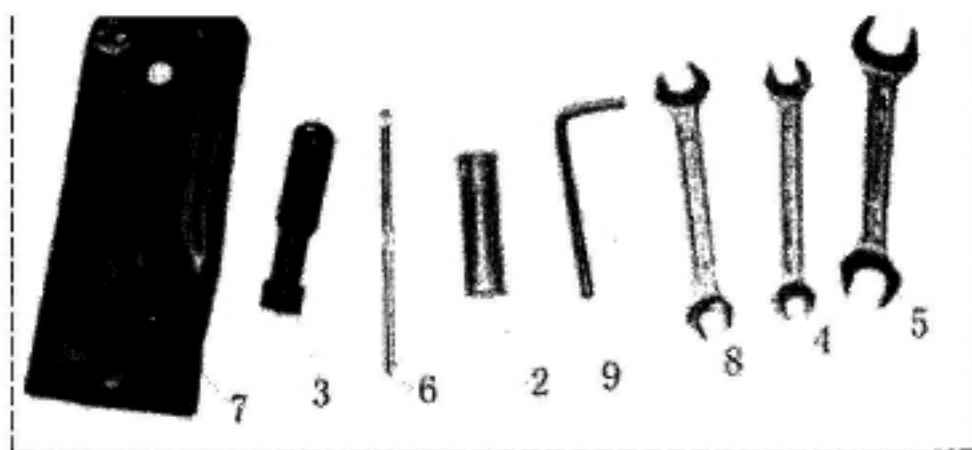


图18 车架部分及车架散件 Spare parts parts and chassis frame

| 号 RI | 代碼 CODE | 名称 | NAME | 数量 quantiti | 单位 UNIT(piece) |
|------|-------------|--------------|------------------------------------|-------------|----------------|
| 1 | QT-16-18-01 | 车架焊接组合 | Frame welding assemblies | 1 | pc |
| 2 | QT-16-18-02 | 前综合安装支架 | Pre-mounting brackets | 1 | pc |
| 3 | QT-16-18-03 | 六角法兰面螺栓 | Hexagon flange bolts | 2 | pc |
| 4 | QT-16-18-04 | 六角法兰面螺母 | Hexagon nuts with flange | 2 | pc |
| 5 | QT-16-18-05 | 边撑焊接组合 | Combination of side support weld | 1 | pc |
| 6 | QT-16-18-06 | 边撑安装螺栓 | Side support mounting bolt | 1 | pc |
| 7 | QT-16-18-07 | 边撑弹簧及橡胶套 | Edge support springs and rubber | 1 | pc |
| 8 | QT-16-18-08 | 主撑焊接组合 | Combination of the main support | 1 | pc |
| 9 | QT-16-18-09 | 六角法兰面螺栓 | Hexagon flange bolts | 2 | pc |
| 10 | QT-16-18-10 | 主撑弹簧及橡胶套 | Main support springs and rubber | 1 | pc |
| 11 | QT-16-18-11 | 主撑缓冲块 | Main support buffer block | 1 | pc |
| 12 | QT-16-18-12 | 摇架焊接组合 | Welding combination cradle | 1 | pc |
| 13 | QT-16-18-13 | 摇架轴 | Cradle axis | 3 | pc |
| 14 | QT-16-18-14 | 全金属六角法兰面锁紧螺母 | All-metal hexagon nuts with flange | 2 | pc |
| 15 | QT-16-18-15 | 摇架缓冲垫 | Cradle welding buffer block | 2 | pc |
| 16 | QT-16-18-16 | 六角法兰面螺栓 | Hexagon flange bolts | 2 | pc |
| 17 | QT-16-18-17 | 弹垫 | spring washer | 2 | pc |





QT-16-19-10 → ΑΓΕΡΜΟΝΑΣ

QT-16-19-11 → ΚΑΠΑΚΙ ΑΝΓΝΙΣΤΗΡΑ

QT-16-19-12 → ΠΛΑΣΤ. ΚΑΠΑΚΙ ΜΠΑΤΑΡΙΑΣ